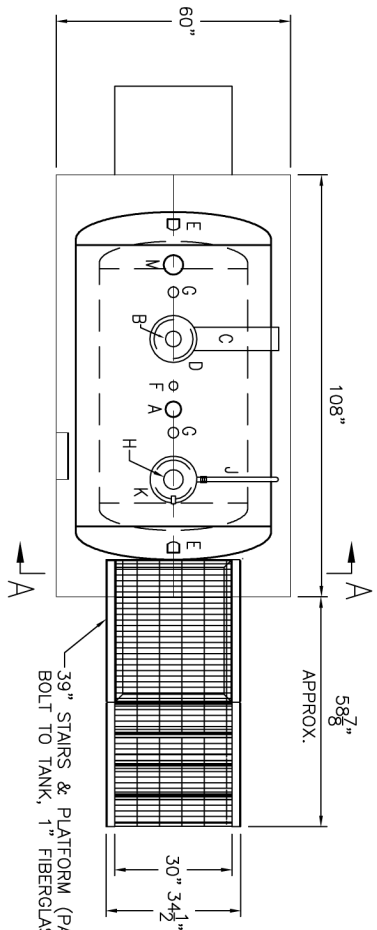
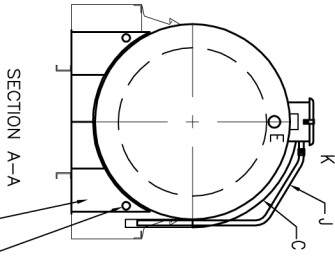
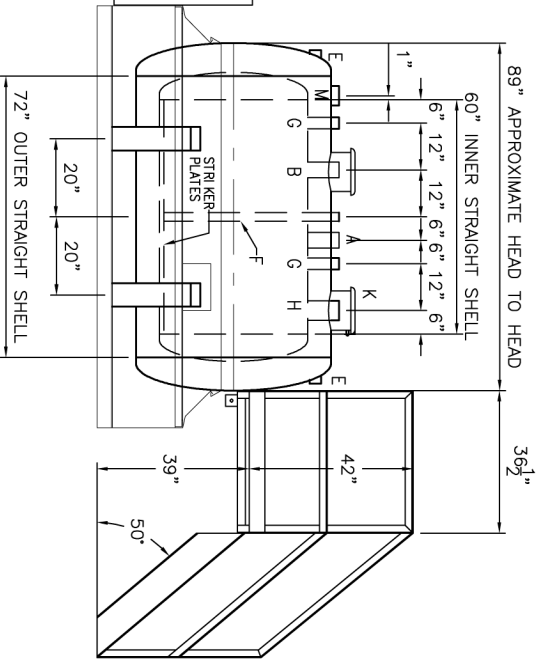
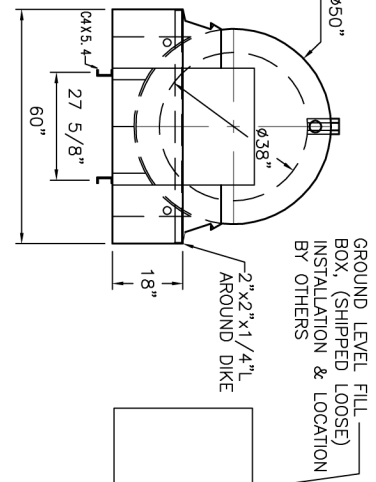


ONE HOUR UNIDIRECTIONAL  
RED LETTER STICKER RANGE C of A 4979  
OR VINT. LABEL  
STD AREO STICKER  
THIS TO BE ADDED TO BOTH SIDES OF TANK



6" LIGHTWEIGHT INSULATION MATERIAL WITH INTERSTICE

39" STAIRS & PLATFORM (PAINT: SHOP PRIMER) BOLT TO TANK, 1" FIBERGLASS GRATING



(2) 50" x 6" HIGH SADDLES TO TANK  
SPECIFICATION SEAL WELD TO TANK

2" HOLE FOR SHIPMENT BANDING (2) TYP PER SADDLE

**SPECIFICATIONS**

TANK	TANK CAPACITY - 300 GALLON
TANK MATERIAL	MILD CARBON STEEL
THICKNESS - INNER	HEADS 1/4" MIN STD FLG'D & DISHED, SHELL: 1/4" MIN.
THICKNESS - OUTER	HEADS 1/4" MIN, STD FLG'D & DISHED, SHELL: 1/4" MIN
CONSTRUCTION	INNER & OUTER - LAP WELD OUTSIDE ONLY
TANK TEST	INNER - 20 PSIG HYDROTEST OUTER - 5 PSIG AIR
INT. FINISH	NONE
EXT. FINISH	SSPC SP6 BLAST, EPOXY PAINT SYSTEM, COLOR TO BE WHITE
LABEL	UL 2085, FIREGUARD, NYC FD, AND NEW YORK 614
DIKE	
CAPACITY	500 GALLON
MAT	7 GA MILD CARBON STEEL
CONSTR	WELD INSIDE & OUT
PAINT	INT - SHOP PRIMER EXT - SHOP PRIMER
<b>FITTING LEGEND</b>	
A	3" NORMAL VENT FITTING
B	3"-8 oz. EMERGENCY VENT (SHIP LOOSE)
C	EMERGENCY VENT OVERFLOW CHUTE
D	VENT DEFLECTOR ASSEMBLY
E	2" FITTING THROUGH OUTER SHELL ONLY W/ CAST IRON PLUG - FOR WFG PURPOSES ONLY
F	2" INTERNAL INTERSTICE MONITOR PIPE WITH MALE NPT AT TOP
G	2" FITTING
H	4" FILL FITTING
J	1" OVERFLOW FITTING
K	FILL CONTAINMENT CHAMBER
M	4" FITTING THROUGH OUTER SHELL ONLY - INTERSTICE EMERGENCY VENT

<b>NOTE:</b>	
ALL RIGHTS RESERVED. THIS DRAWING OR ANY PART THEREOF MUST NOT BE REPRODUCED IN ANY FORM WITHOUT THE WRITTEN PERMISSION OF AREO-POWER UNIDIRECTIONAL FUELER INC.	
AREO-POWER SHALL BE RESPONSIBLE ONLY FOR ITEMS INDICATED ON THIS FABRICATION DRAWING UNLESS OTHERWISE NOTED. CUSTOMER IS RESPONSIBLE FOR VERIFYING CORRECTNESS OF SIZE / LOCATION OF FITTINGS, ACCESSORIES & COATINGS SHOWN ON THIS DRAWING	
<b>AREO-POWER</b> ®	
PATENT NUMBER 5346093	
<b>300 GAL 38" Ø NYC DIKE TANK</b>	
CUSTOMER:	-
PROJECT:	-
QUOTE:	-

SCALE	3/8" = 1'-0"	DATE	4/13/05	DRAWN BY	003	ISSUING NUMBER	44724B
-------	--------------	------	---------	----------	-----	----------------	--------