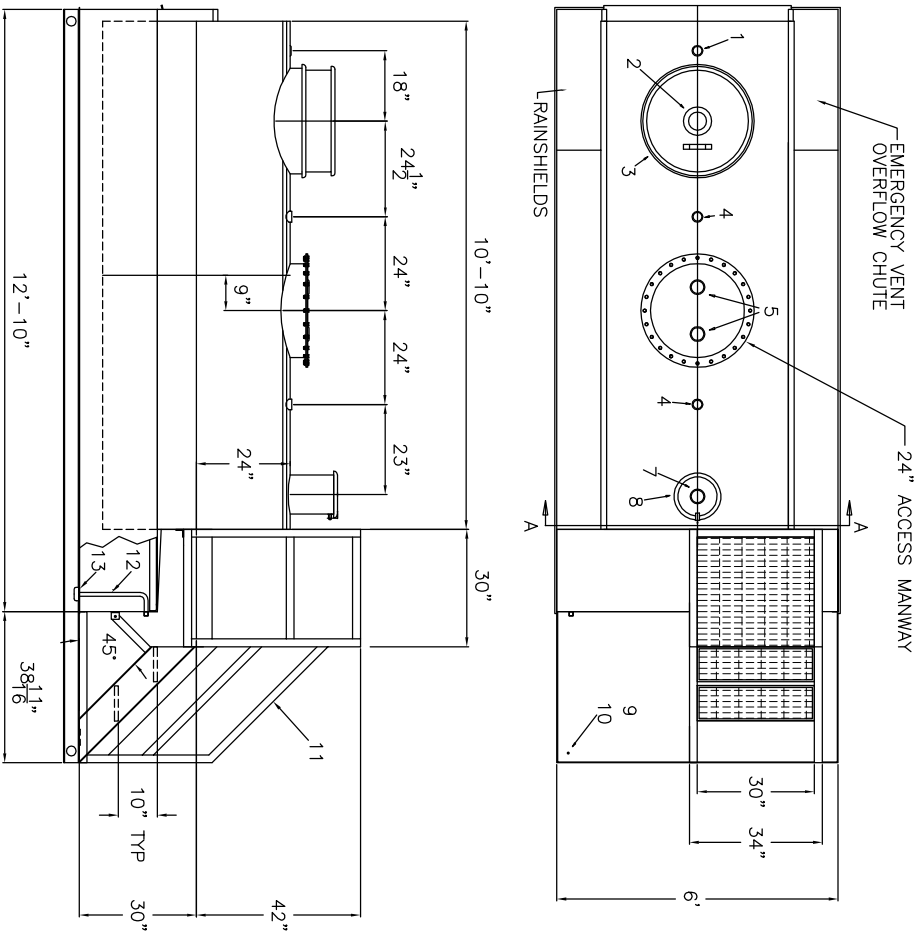


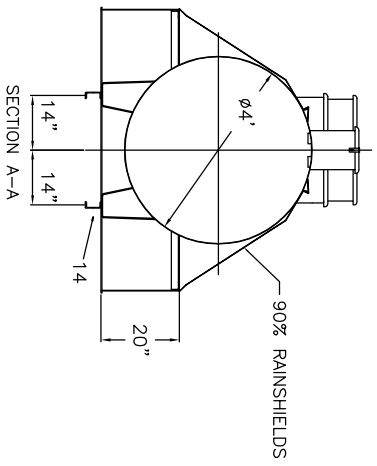
NOTE: ALL RIGHTS RESERVED. THIS DRAWING MUST NOT BE REPRODUCED IN ANY FORM WITHOUT THE WRITTEN PERMISSION OF HIGHLAND TANKS. HIGHLAND TANKS SHALL BE RESPONSIBLE FOR THE DESIGN AND FABRICATION OF THIS DRAWING UNLESS OTHERWISE NOTED. CUSTOMER IS RESPONSIBLE FOR VERIFYING CORRECTNESS OF SIZE AND MATERIALS. ALL DIMENSIONS AND FINISHES SHOWN ON THIS DRAWING. TOUCH UP OF FINISHED PAINT IS REQUIRED BY INSTALLATION CONTRACTOR. TOUCH UP PAINT SHIPPED WITH TANK.

All rights reserved. This drawing or any part thereof must not be reproduced in any form without the written permission of Aero-Power Unified Fueler, Inc.



- NOTES**
1. PRIMARY TANK: SHELL - 10 GA. HEAD - 10 GA. CONTAINMENT: 7 GA.
 2. MATERIAL - MILD CARBON STEEL
 3. TEST AT 5-7 PSIG.
 4. ENTIRE UNIT UL LISTED.
 5. EXTERIOR FINISH -
 6. INTERIOR LINING -
 7. ALL DIMENSIONS APPROXIMATE.

ITEM	DESCRIPTION
①	2" NORMAL VENT FITTING
②	6"-8 OZ. EMERGENCY VENT - SHIPPED LOOSE
③	VENT DEFLECTOR
④	2" FOPLG
⑤	3" FITTING
⑥	-
⑦	3" FILL FITTING
⑧	FILL CONTAINMENT CHAMBER
⑨	DRIP PAN PLATFORM WITH 2" LIP
⑩	1/2" DRAIN FITTING
⑪	STAIRS, PLATFORM AND HANDRAIL-SHIPPED LOOSE
⑫	3/4" PUMPOUT PIPE
⑬	3" PIPE CAP SUWP
⑭	4" X 5.4# CH



AREO-POWER®	
1,000 GAL NASSUA CO. DIKE TANK	
CUSTOMER:	CHK'D BY:
PROJECT:	DWG. NO. 51928
QUOTE NO.:	DWG. BY:
SCALE: 3/8"=1'-0"	DATE: